

PARTS LIST

Item No	Type	Part No	Description	Qty	Unit
001		853V15-6	DSP601 NAME PLATE	1	PC.
002		265995-6	TAPPING SCREW 4X18	8	PC.
003		183H78-7	HANDLE REAR COVER SET	1	SET
003	INC.	263005-3	RUBBER PIN 6	4	PC.
003	INC.	813D02-9	CAUTION LABEL	1	PC.
004		651083-9	SWITCH C3XA-1PSPM	1	PC.
005		234173-9	COMPRESSION SPRING 4	1	PC.
006	1	135915-3	CONTROLLER ASS'Y	1	PC.
006	1	INC.	Item No. 18		
006	1	INC. 620691-7	SUB CONTROLLER	1	PC.
006	3	136857-4	* CONTROLLER ASSY	1	PC.
006	3	INC.	* Item No. 18		
006	3	INC. 620691-7	* SUB CONTROLLER	1	PC.
007		419629-5	LOCK OFF BUTTON	1	PC.
008		457748-9	SWITCH LEVER	1	PC.
009	1	911253-5	PAN HEAD SCREW M5X30	2	PC.
010		233089-5	COMPRESSION SPRING 12	1	PC.
011		457749-7	LOCK PLATE	1	PC.
012		233267-7	COMPRESSION SPRING 7	1	PC.
014		324709-3	LOCK PIN 8	1	PC.
015		265995-6	TAPPING SCREW 4X18	5	PC.
016		643874-2	TERMINAL	1	PC.
017		183H78-7	HANDLE REAR COVER SET	1	PC.
017	INC.		Item No. 3		
017	INC.	813D02-9	CAUTION LABEL	1	PC.
017	INC.	263005-3	RUBBER PIN 6	4	PC.
018		813D03-7	INDICATION LABEL	1	PC.
019		643874-2	TERMINAL	1	PC.
020		457750-2	MOTOR HOUSING	1	PC.
021		911253-5	PAN HEAD SCREW M5X30	4	PC.
022	1	629275-8	* STATOR	1	PC.
022	2	629B69-3	* STATOR	1	PC.
023		457751-0	BAFFLE PLATE	1	PC.
024		265995-6	TAPPING SCREW 4X18	2	PC.
025		210022-4	BALL BEARING 626DDW	1	PC.
026		519448-0	ROTOR ASSY	1	PC.
026	INC.		Item No. 25,28		
027		233084-5	COMPRESSION SPRING 6	1	PC.

Item No	Type	Part No	Description	Qty	Unit
028		211131-2	BALL BEARING 6001DDW	1	PC.
029		286040-4	CAP	1	PC.
030		345742-2	SHAFT LOCK	1	PC.
031		286039-9	CAP	1	PC.
032		144586-5	GEAR HOUSING COMPLETE	1	PC.
032	INC.	263002-9	RUBBER PIN 4	1	PC.
033	2	324716-6	PIN 8	1	PC.
033	3	327B66-0	PIN 8	1	PC.
034		265907-9	HEX. SOCKET HEAD BOLT M5X10	1	PC.
035		324708-5	STOPPER PIN 8	1	PC.
036		211021-9	BALL BEARING 607LLB	1	PC.
037		961052-5	RETAINING RING S-12	1	PC.
038		221548-1	HELICAL GEAR 41	1	PC.
039		257010-0	RING 12	1	PC.
040		213512-6	O RING 39	1	PC.
041		318088-9	BEARING BOX	1	PC.
042		211129-9	BALL BEARING 6201DDW	1	PC.
043		324707-7	SPINDLE	1	PC.
044		911221-8	PAN HEAD SCREW M5X16	2	PC.
045		285689-7	BEARING RETAINER 55	1	PC.
046		266034-5	TAPPING SCREW CT 4X16	2	PC.
047		419630-0	LOCK LEVER	1	PC.
048		231665-9	TORSION SPRING 7	1	PC.
049		233479-2	COMPRESSION SPRING 11	1	PC.
050		253821-1	FLAT WASHER 3	1	PC.
051		266007-8	TAPPING SCREW BIND PT 3X10	1	PC.
052		457756-0	DEPTH GUIDE	1	PC.
053		251867-1	THUMB SCREW M5X30	1	PC.
054		941101-4	FLAT WASHER 5	1	PC.
055		419624-5	SPRING HOLDER	1	PC.
056		231372-4	COMPRESSION SPRING 5	1	PC.
057		419623-7	STOPPER BLOCK	1	PC.
058		457752-8	DUST NOZZLE	1	PC.
059		213460-9	O RING 35	1	PC.
060		286041-2	CAP 14	2	PC.
061		345747-2	SPACER PLATE	2	PC.
062		345744-8	NUT PLATE	1	PC.
063		233025-1	COMPRESSION SPRING 2	2	PC.
064		144867-7	LEVER 20 COMPLETE	1	PC.

Item No	Type	Part No	Description	Qty	Unit
064		INC. 263002-9	RUBBER PIN 4	1	PC.
065	2	140D56-6	BLADE CASE COMPLETE	1	PC.
065	2	INC.	Item No. 60,61,63,68,69		
066		266034-5	TAPPING SCREW CT 4X16	1	PC.
067		419632-6	POSITION PLATE	1	PC.
068		259008-3	PUSH NUT 4	2	PC.
069	2	347392-9	PLATE	2	PC.
070		224593-5	INNER FLANGE 35	1	PC.
071		253010-8	FLAT WASHER 6	1	PC.
072		213021-5	O RING 5	1	PC.
073		224409-4	OUTER FLANGE 35	1	PC.
074		324710-8	PIN 8	1	PC.
075		266403-0	HEX. SOCKET HEAD BOLT M6	1	PC.
076		266053-1	TAPPING SCREW 4X35	1	PC.
077	1	319605-8	* BLADE CASE COVER	1	PC.
077	2	319702-0	* BLADE CASE COVER	1	PC.
078		266034-5	TAPPING SCREW CT 4X16	5	PC.
079		458092-7	SLIDE LEVER	1	PC.
080		253932-2	WAVE WASHER 10	1	PC.
081		345977-5	PLATE	1	PC.
082		265775-0	THUMB SCREW M4X3	1	PC.
083		265775-0	THUMB SCREW M4X3	1	PC.
084		419627-9	HOLDER	1	PC.
085		419627-9	HOLDER	1	PC.
086		265701-9	THUMB SCREW M6X14	1	PC.
087	2	231240-1	COMPRESSION SPRING 7	1	PC.
088		265776-8	THUMB SCREW M6X26	1	PC.
089		253111-2	FLAT WASHER 6	1	PC.
090		419596-4	REAR ANGULAR GUIDE	1	PC.
091	2	312B95-6	BASE	1	PC.
092		265995-6	TAPPING SCREW 4X18	2	PC.
093		266225-8	H.S.SET SCREW(FLAT POINT)M6X8	1	PC.
094		265701-9	THUMB SCREW M6X14	1	PC.
095	2	231240-1	COMPRESSION SPRING 7	1	PC.
096		345748-0	LOCK WASHER	1	PC.
097		266225-8	H.S.SET SCREW(FLAT POINT)M6X8	1	PC.
098		324731-0	STOPPER PIN	1	PC.
099		265995-6	TAPPING SCREW 4X18	2	PC.
100		912112-6	COUNTERSUNK HEAD SCREW M4X10	1	PC.

Item No	Type	Part No	Description	Qty	Unit
101	2	413A11-6	FRONT ANGULAR GUIDE	1	PC.
102		252157-5	SQUARE NUT M6	1	PC.
103		266225-8	H.S.SET SCREW(FLAT POINT)M6X8	1	PC.
104		457963-5	DIAL 22	1	PC.
105		961017-7	STOP RING E-3	1	PC.
106		253111-2	FLAT WASHER 6	1	PC.
107		265776-8	THUMB SCREW M6X26	1	PC.
108	2	818H48-4	CAP LABEL	1	PC.
109	2	183J85-2	CAP SET	1	PC.
109	2	INC.	Item No. 108		
109	3	140G30-2	CAP COMPLETE	1	PC.
109	3	INC.	Item No. 108		
110	3	213A05-9	O RING 16	1	PC.
111		620753-1	SUB CONTROLLER	1	PC.
112		458038-3	HOLDER	1	PC.
114		620L68-8	* CONTROLLER B (Added)	1	PC.
115		652119-7	* PH SCREW M2X6 (Added)	6	PC.
A01		B-57342	6-1/2" C.T. CIRCULAR SAW BLADE 56T 20MM F/WOOD/MDF/LAMINA	1	PC.
A02		783203-8	HEX. WRENCH 5	1	PC.
A03		198901-5	AWS BLUETOOTH® TRANSMITTER	1	PC.
A04		197213-3	INTERLOCKING TOOL CASE XL	1	PC.
A04		INC.	LATCH	4	PC.
A05	2	817H39-2	DSP601ZJ PLASTIC CASE LABEL	2	PC.
A06		8023X4-2	DSP601ZJ INDICATION LABEL	1	PC.
A07		839290-6	INNER TRAY F/ INTERLOCKING CASE	1	PC.
A07		T-02571	FOAM INSERT F/INTERLOCK CASE	4	PC.
A08		---	18V LI-ION BATTERY		
A09		---	BATTERY CHARGER		
A10		---	LI-ION BATTERY ACCESSORIES		
A11		126599-8	DUST BAG ASSEMBLY	1	PC.
A12		165447-6	EDGE GUIDE RULE, SUBBASE	1	PC.
A13		194925-9	GUIDE RAIL 1900 SET	1	PC.
A14		194385-5	CLAMP SET, 2/SE FOR GUIDE RAIL	1	PC.
A17		194419-4	RUBBER POSITION SHEET 118" (3000MM)	1	PC.
A18		195546-0	FRONT CUFFS 24	1	PC.
A20		---	WORK GLOVES		
A21		---	BLUE PRO COLLECTION		
A22	3	E-10936	GUIDE RAIL BAG 3000MM	1	PC.
A23		199826-6	RATCHET CLAMP SET	1	PC.

Item No	Type	Part No	Description	Qty	Unit
F03		194367-7	GUIDE RAIL 3000 SET	1	PC.
F04		194368-5	GUIDE RAIL 1400 SET	1	PC.
F06		194416-0	VINYL SHEET 384" (10000MM)	1	PC.
F07		194417-8	RUBBER SHEET 384" (10000MM)	1	PC.
F08		194418-6	RUBBER POSITION SHEET 55" (1400MM)	1	PC.
F15		196664-7	BEVEL GUIDE SET	1	PC.
F19		199140-0	GUIDE RAIL 1000 SET	1	PC.
F20		199141-8	GUIDE RAIL 1500 SET	1	PC.
F28		1913K7-3	PARALLEL GUIDE SET (MM)	1	PC.
F29		1913K5-7	PUSH CLAMP SET	1	PC.

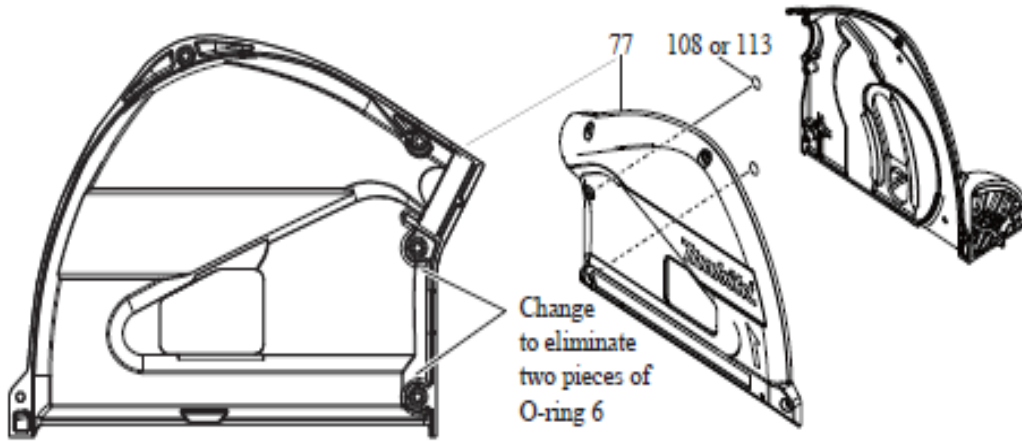
SERVICE CHANGES

1. Changes on Blade Cover

(T/I# C1804)

Item No.	Description	Type 1	Type 2
77	Blade Case Cover	319605-8	319702-0
113	O Ring 6	213045-1	---

Above parts are completely interchangeable as a set.



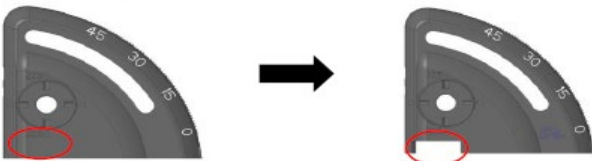
2. Changes on Front angular guide and Base

(T/I# DA522)

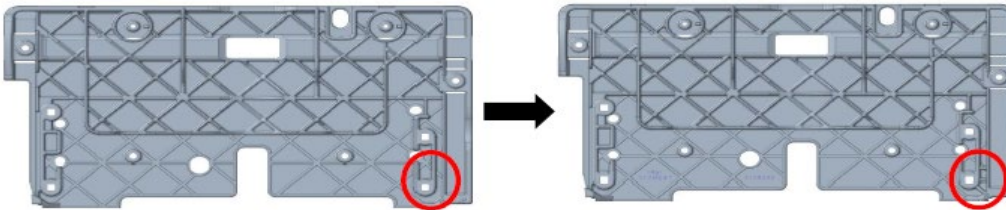
Item No.	Description	Type 1	Type 2
101	Front Angular Guide	419595-6	413A11-6
91	Base	319604-0	312B95-6

Above parts are completely interchangeable as a set.

[1][3]: Front angular guide (Addition of Notch)



[2]: Base (Addition of Rib for reinforcement)



3. Changes on Stator, Controller etc.

(T/I# DJ138)

Item No.	Description	Type 1	Type 2
6	CONTROLLER ASSY	135974-7	136857-4
22	STATOR	629275-8	629B69-8
114	CONTROLLER B	-----	620L68-8
115	PAN HEAD SCREW M2X6	-----	652119-7
D01	INSULATED CONNECTOR	654510-5	-----

Above parts are completely interchangeable as a set.

*See T/I#DJ138 for wiring.